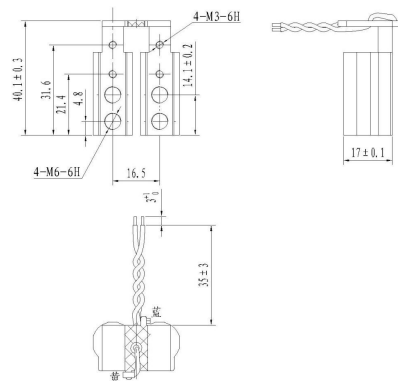
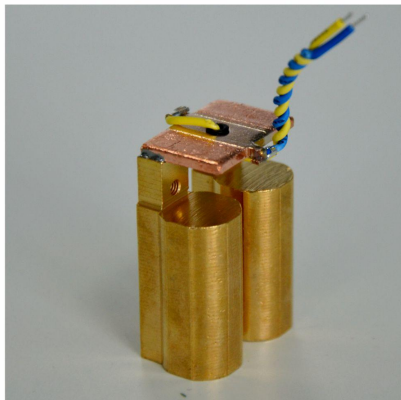


锰铜分流器

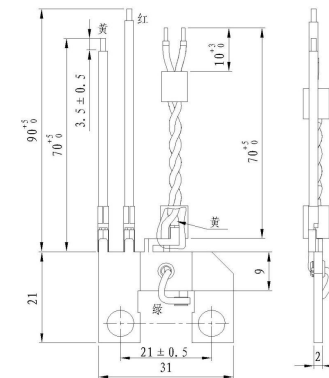
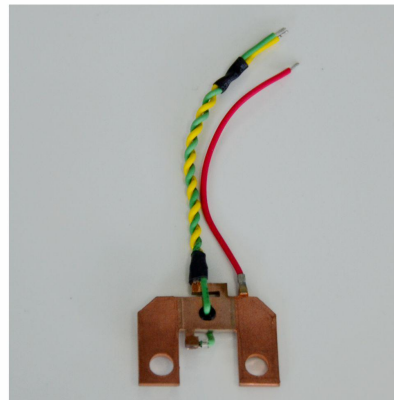
85 μΩ 锰铜分流器 85 μΩ Manganin Shunt



说明：可按客户设计定制
Description: Can be customized according to customer design.

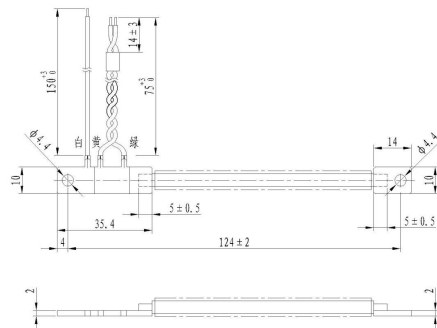
锰铜分流器

250 μΩ 锰铜分流器 250 μΩ Manganin Shunt



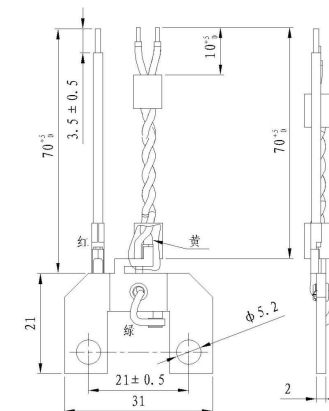
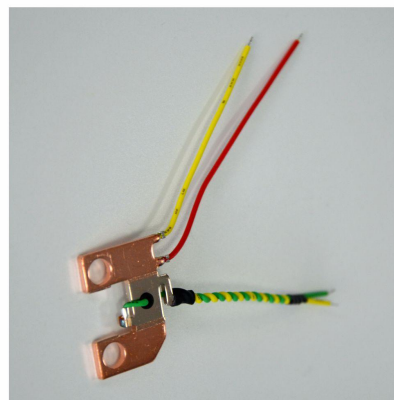
说明：可按客户设计定制
Description: Can be customized according to customer design.

200 μΩ 锰铜分流器 200 μΩ Manganin Shunt



说明：可按客户设计定制
Description: Can be customized according to customer design.

300 μΩ 锰铜分流器 300 μΩ Manganin Shunt



说明：可按客户设计定制
Description: Can be customized according to customer design.